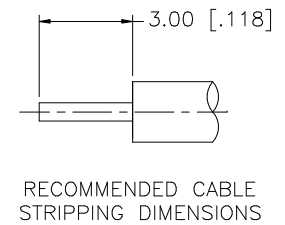
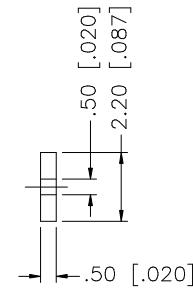
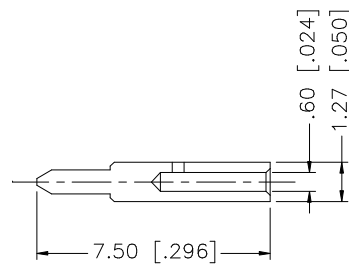
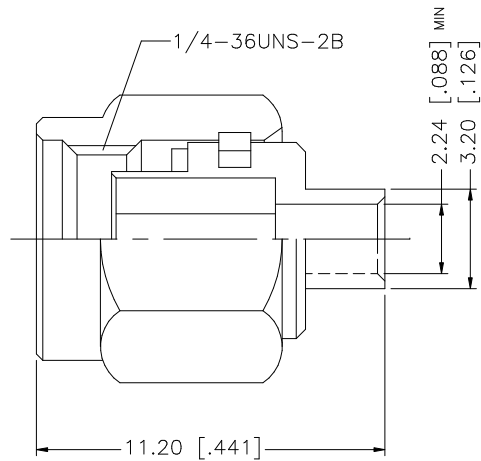


| REV. | DATE | DESCRIPTION |
|------|----------|---|
| A | 01/09/98 | ADD CONTACT PIN/ CHANGE I.D./ REDIMENSION |
| B | 01/26/02 | ADD CROSS SECTION OF BODY |
| C | 07/22/02 | INCREASE BODY LENGTH TO 11.20 |
| D | 05/14/03 | UPDATE DRAWING FORMAT |



| | | | | | | | | | | | |
|---|-------------|----------|---------|-----|--|-------------------------------|--------|---|--|--|--|
| 8 | | | | | UNLESS OTHERWISE SPECIFIED DIMENSIONS ARE IN MILLIMETERS. DIMENSIONS IN [] ARE IN INCHES AND FOR CUSTOMER REFERENCE ONLY. | APPROVALS | DATE | Amphenol Connex | | | |
| 7 | | | | | | DRAWN | G.R.S. | | | | |
| 6 | | | | | UNLESS OTHERWISE SPECIFIED TOLERANCES FOR MILLIMETERS ARE: 0.5 - 8mm ± 0.20mm 8 - 30mm ± 0.40mm 30 - 120mm ± 0.50mm | CHECKED | | PART DESCRIPTION SMA SEMI-RIGID PLUG (FOR .085", .086" CABLE) | | | |
| 5 | | | | | | ISSUED | | | | | |
| 4 | GASKET | SILICONE | RED | 1 | UNLESS OTHERWISE SPECIFIED TOLERANCES FOR INCHES ARE: .020 - .315 = ± 0.007" .315 - 1.180 = ± 0.015" 1.180 - 4.724 = ± 0.020" | SHEET | 1 OF 1 | PART NO. 132101 | | | |
| 3 | CONTACT PIN | BRASS | GOLD | 1 | | | | | | | |
| 2 | INSULATOR | TEFLON | NATURAL | 1 | | | | | | | |
| 1 | BODY | BRASS | GOLD | 1 | | | | DWG. NO. 132101.DWG REV. NC SIZE A SCALE NA | | | |
| | DESCRIPTION | MATERIAL | FINISH | QTY | DO NOT SCALE DRAWING | CAD FILE C:/132/132101.DWG | | | | | |