

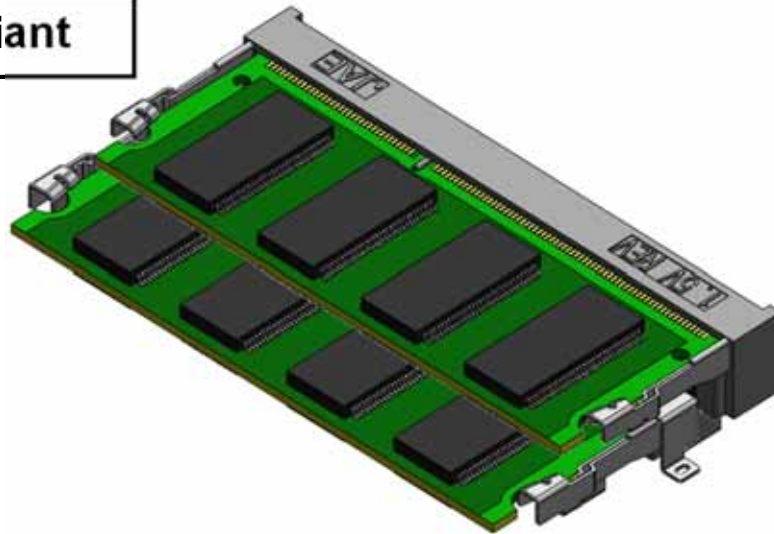
**NEW**

DDR SDRAM SODIMM Connector

CONNECTOR

MB-0213-1

September 2010

**MM80 Series****RoHS Compliant**

The MM80 Series is a 204 position DDR3 SDRAM SODIMM\* socket which is compatible with the JEDEC MO-268C standard.

It is a highly reliable right-angle SMT type connector with a unique contact structure for improved contact force, a design that prevents incomplete mating by not locking unless the DIMM board is completely inserted, and stable contact achieved by assured positioning of the DIMM board.

DDR3: Double Data Rate 3

SDRAM: Synchronous Dynamic Random Access Memory

SODIMM: Small Outline Dual In-line Memory Module

**Features**

- DDR3 SDRAM SODIMM 204 pos. socket compatible with JEDEC standard MO-268C.
- Mis-mating prevention key is compatible with operation voltage 1.5V (DDR3).
- Right-angle SMT type available in two connector heights: 5.2mm and 9.2mm.
- To meet system requirements, products compatible with reverse mounting are also available (5.2mm and 9.2mm height).

**General Specifications**

- No. of Contacts: 204 pos.
- Contact Resistance: 40mΩ max.
- Dielectric Withstanding Voltage: AC 500Vr.m.s (per minute)
- Contact Pitch: 0.6mm
- Operating Temperature: -55 to +105 Deg. C
- Rated Current: 0.3A
- Insulation Resistance: 100MΩ min.
- Durability: 25 mating cycles
- Applicable DIMM Board Thickness: 1.0 ± 0.1mm

## Materials and Finishes

Component	Material / Finish
Metal Latch	Stainless / Sn plating
Insulator	Glass filled LCP
Contact	Contact area: Phosphor bronze / 0.1μm min. Au plating over Ni Terminal area: Phosphor bronze / Au flash plating over Ni

## Ordering Information

**MM80 - 204 B 1 - \* 1 R**

Series

No. of Contacts

Socket Type  
B: Latch Type SMT Mounting

Key Type  
1: TYPE A (1.5V)

R: Reverse Mounting  
None: Standard Mounting

Contact Finish  
1: 0.1μm min. Au plating over Ni

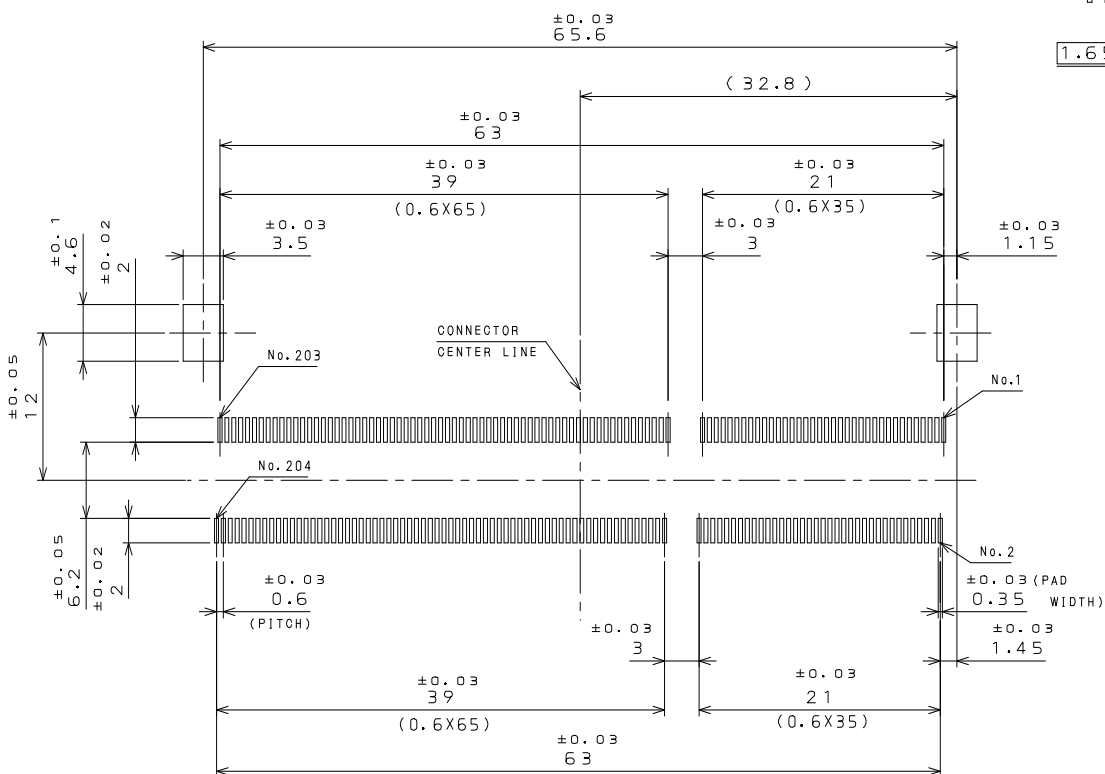
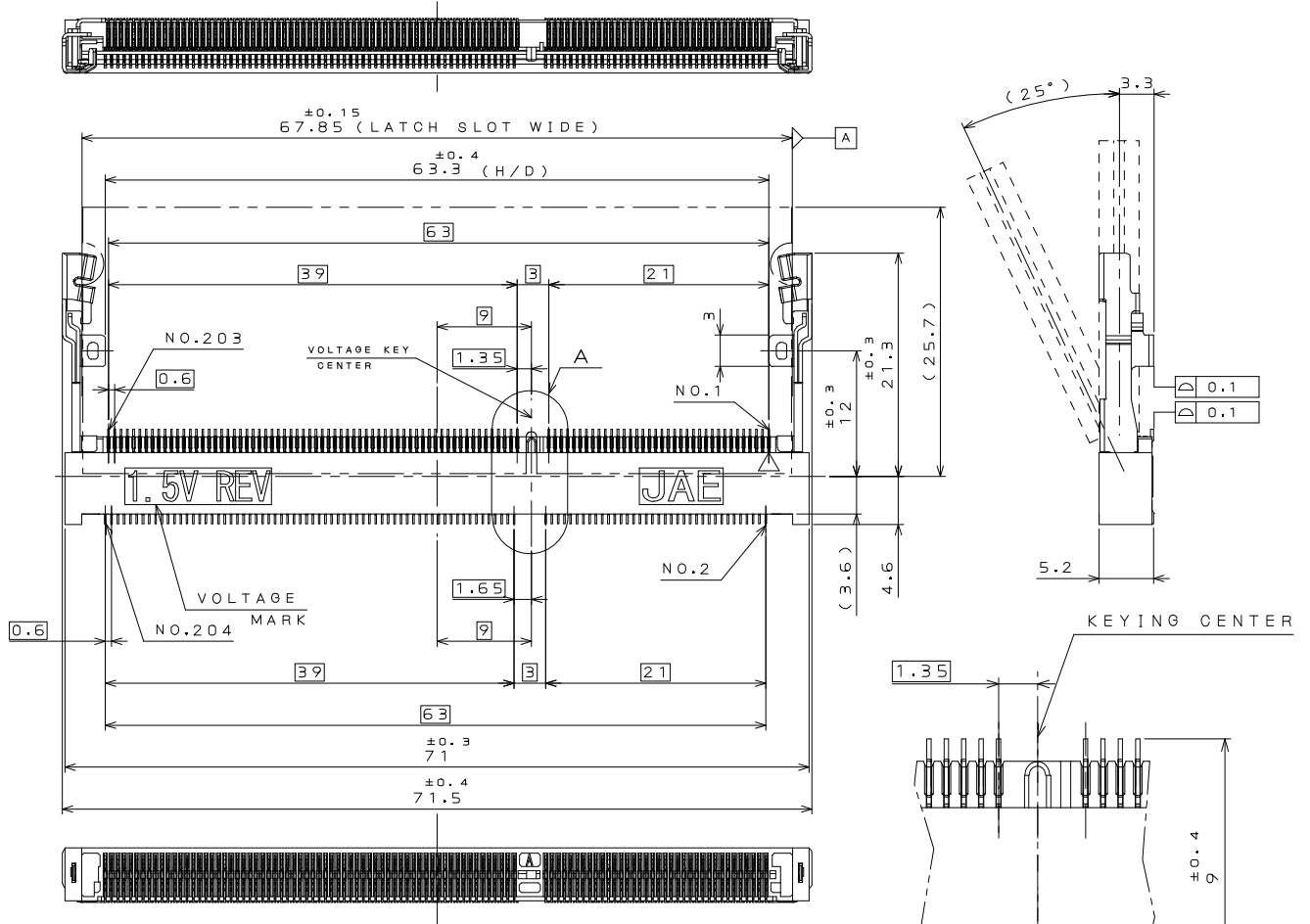
Modification Code  
None: Product Height 5.2mm, without boss  
E: Product Height 9.2mm, without boss

## Part Number and SJ Drawing Number

Part Number	Product Height	Boss	Mounting Direction	SJ Drawing	Specification
MM80-204B1- 1	5.2	No	Standard	SJ110291	JACS-10662
MM80-204B1- 1R	5.2	No	Reverse	SJ110255	
MM80-204B1-E1	9.2	No	Standard	SJ110292	
MM80-204B1-E1R	9.2	No	Reverse	SJ110282	



# MM80-204B1- 1R

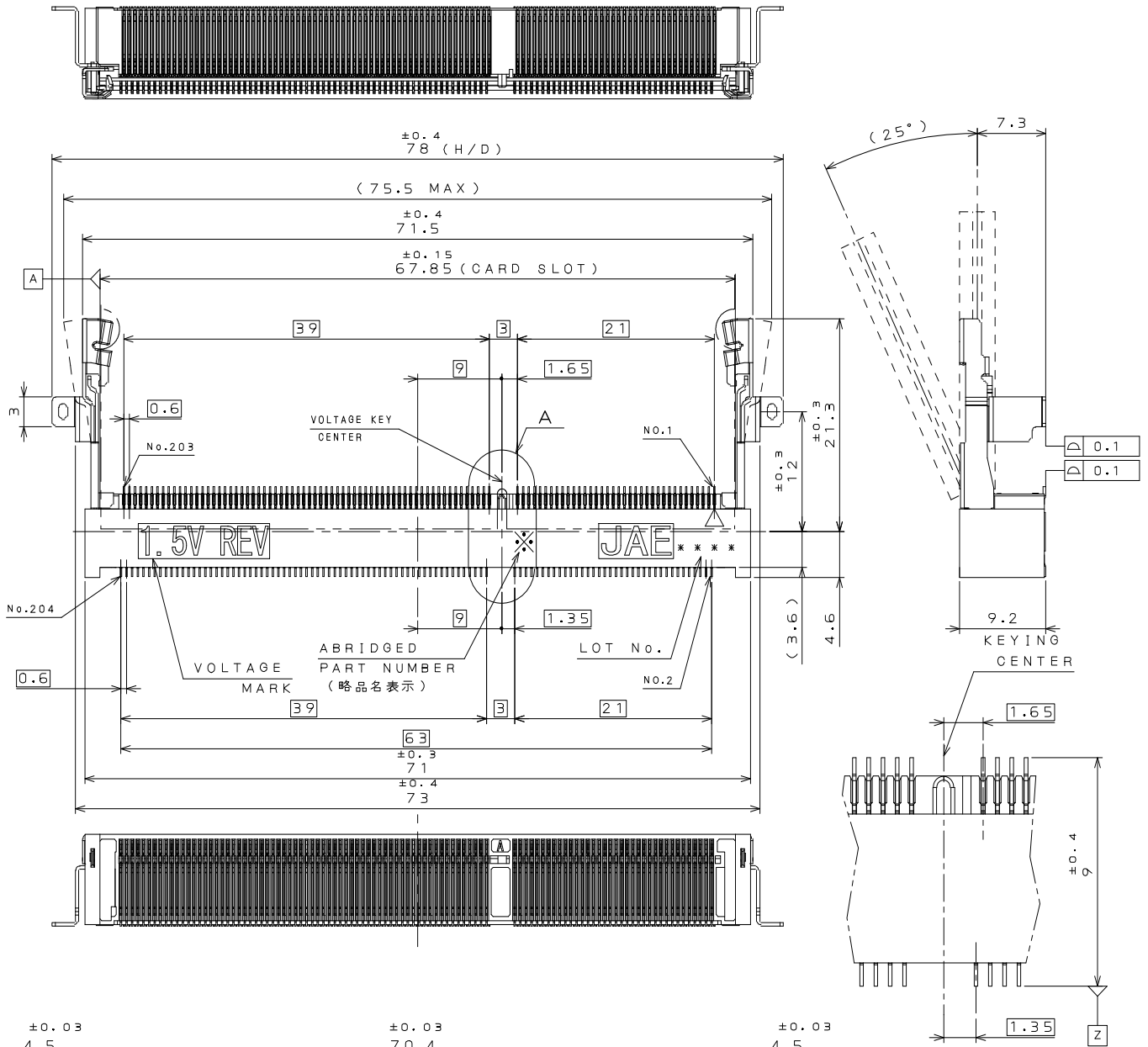


Detail A

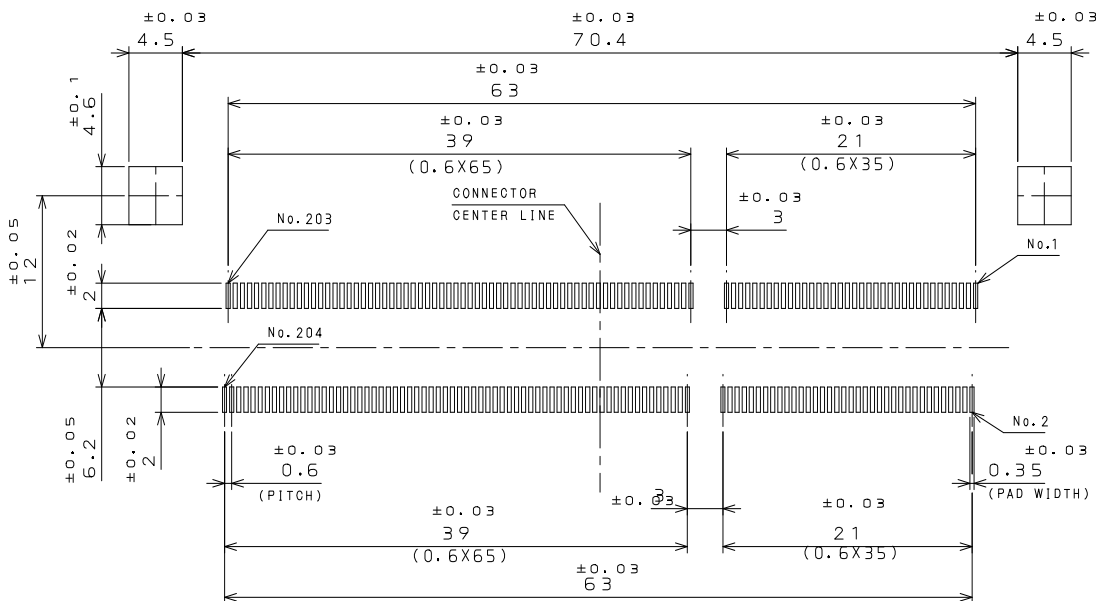
Applicable P.C.B. Dimensions (for Reference)



# MM80-204B1-E1R

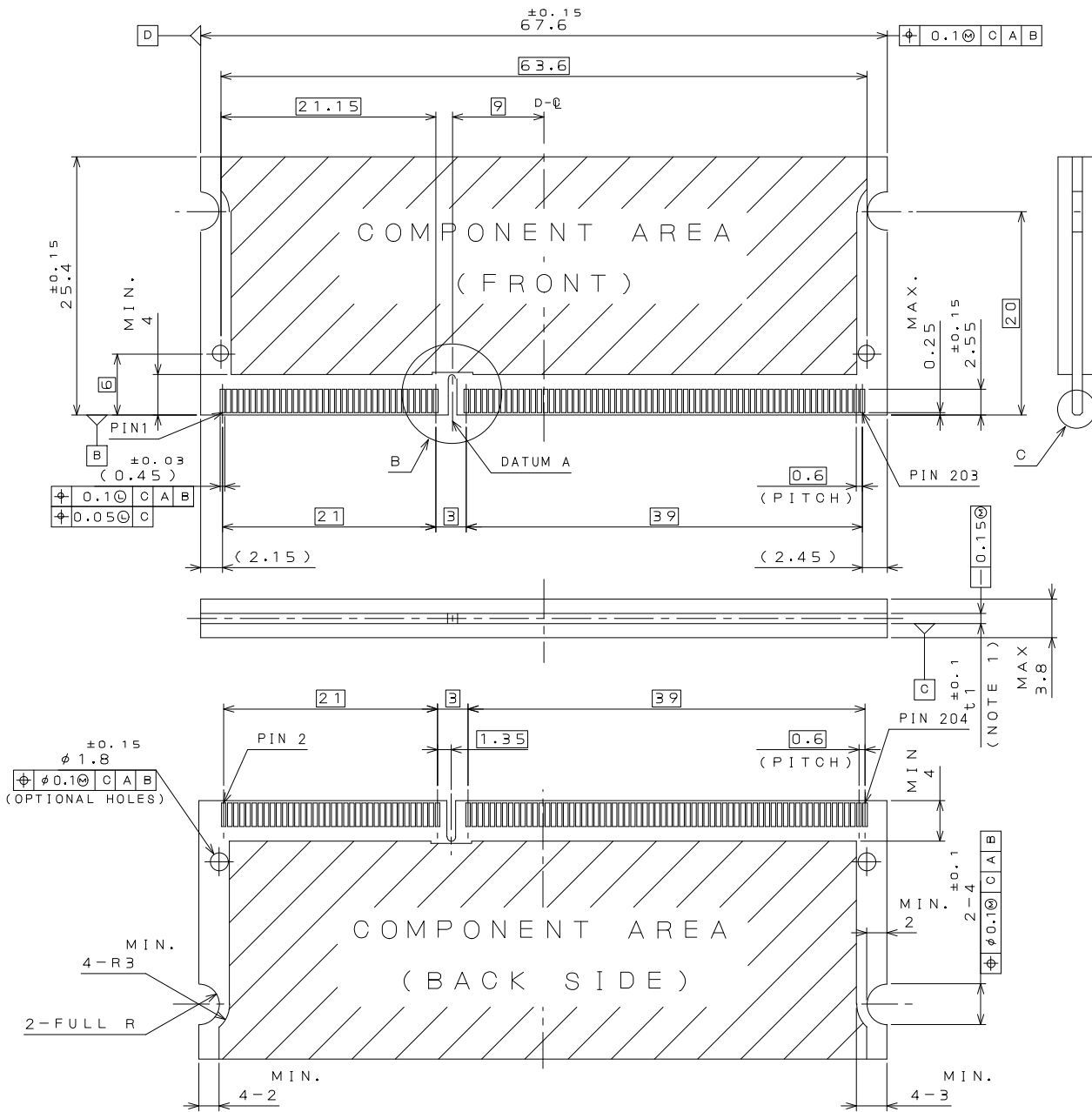


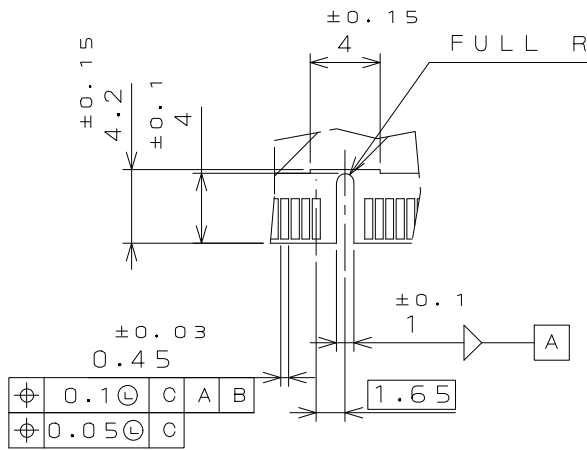
Detail A



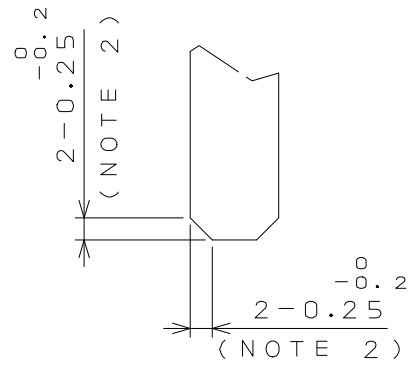
Applicable P.C.B. Dimensions (for Reference)

Applicable Dimensions of Module (For Reference)





DETAIL B



DETAIL C

**Notice:** Products shown in this brochure are made for the applications listed below. However, if the above-mentioned products are to be used in aerospace devices, marine cable-connection devices, atomic power control systems, medical equipment for life-support systems, or any other specific application requiring extremely high reliability, please contact JAE for further information.

Recommended applications: Computers, Office machines, Measuring devices, Telecommunication devices (Terminals, Mobile devices), AV devices, Household applications, FA devices, etc.

**Japan Aviation Electronics Industry, Ltd.**