

4.6. USB to RS-232/422/485 Converters



I-7560

USB to RS-232 Converter

Introduction

The I-7560 contains a Windows serial com port via it's USB connection and is compatible with new and legacy RS-232 devices. USB Plug-and-Play allows easy serial port expansion and requires no IRQ, DMA, or I/O port resources.

The I-7560 features a full set of RS-232 modem data and control signals (TxD, RxD, RTS, CTS, DSR, DTR, DCD, RI and GND) on it's PC compatible DB-9 male connector. It also features a high-speed 115200 bps transmission rate.

The I-7560 is powered from the USB bus and no additional power supply is needed.

Software

Driver

Windows 98/ME/2000/XP/Vista (32-bit)/Linux

Specifications

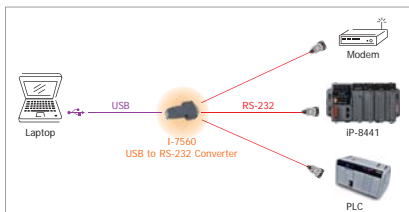
Interface		
USB		Compatibility: USB 1.1 and 2.0 standards
RS-232		TxD, RxD, RTS, CTS, DSR, DTR, DCD, RI and GND; non-isolated
Speed		300 – 115200 bps
Connection	RS-232	9-Pin Male D-Sub
	USB	Type B
Cable Included		CA-USB18 (1.8 m Cable) x 1
LED Indicators		
Power		Yes
Power		
Input Voltage Range		+5 V _{oc} from USB
Power Consumption		0.3 W
Mechanical		
Casing		Plastic
Flammability		Fire Retardant Materials (UL94-V0 Level)
Dimensions (W x H x D)		33 mm x 60 mm x 15 mm
Environment		
Operating Temperature		-25 °C – +75 °C
Storage Temperature		-30 °C – +75 °C
Humidity		10 – 90% RH, non-condensing

Features

- Fully Compliant with the USB 1.1/2.0 (High Speed)
- No External Power Supply is required as the I-7560 is powered from the USB Bus
- Baud Rate, 300 – 115200 bps
- Operating Temperatures, -25 °C – +75 °C
- Driver Supports Windows 98/ME/2000/XP/Vista (32-bit)/Linux



Applications



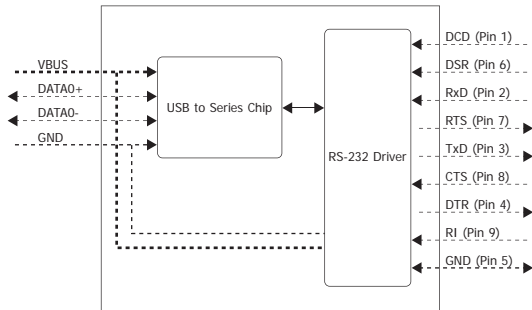
I-7560 with CA-USB18

I-7560 with IP-8441

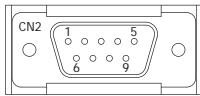
I-7560 with Modem



Internal I/O Structure

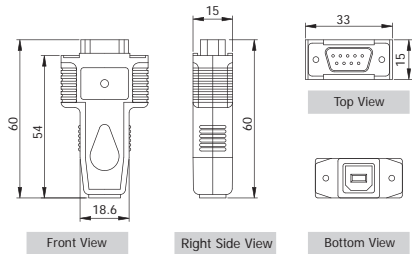


Pin Assignments



Pin	Signal	Mode	
01	DCD	Data Carrier Detect	Input
02	RxD	Receive Data	Input
03	TxD	Transmit Data	Output
04	DTR	Data Term Ready	Output
05	GND	Ground	--
06	DSR	Data Set Ready	Input
07	RTS	Request To Send	Output
08	CTS	Clear To Send	Input
09	RI	Ring Indicator	Input

Dimensions (Unit: mm)



Ordering Information

I-7560 CR	USB to RS-232 Converter (RoHS)
-----------	--------------------------------

Accessories

USB-2560 CR	Industrial 4-port USB 2.0 Hub
CA-USB18	USB Type A to Type B Cable