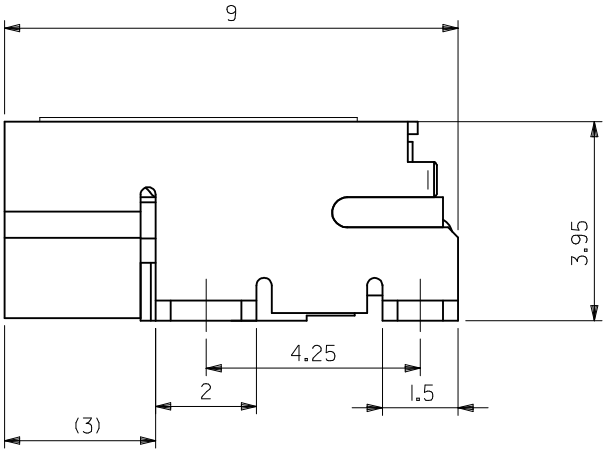
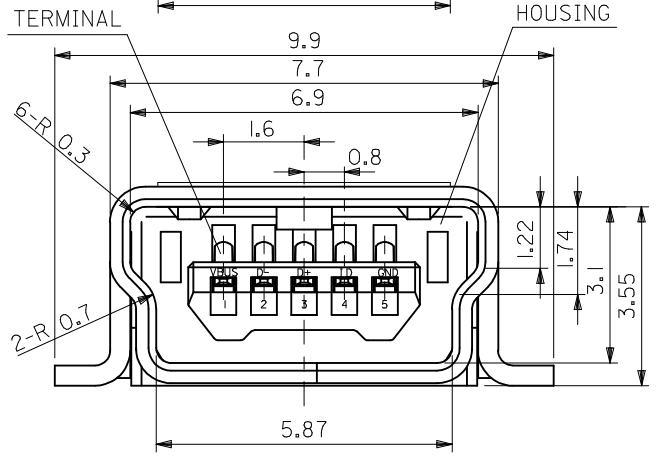


推奨基板寸法 (部品実装側)
RECOMMENDED P.C.B. PATTERN LAYOUT (PART MOUNT SIDE)



注記 1. 材質
NOTES MATERIAL
ハウジング: PA, ガラス充填, 黒色, UL94V-0
HOUSING: PA, GLASS FILLED, BLACK, UL94V-0
ターミナル: 銅合金 (t=0.2)
TERMINAL: COPPER ALLOY (t=0.2)
シールド ケース: 銅合金 (t=0.4)
SHIELD CASE: COPPER ALLOY (t=0.4)
カバー テープ: ポリイミド (t=0.08)
COVER TAPE: POLYIMIDE (t=0.08)

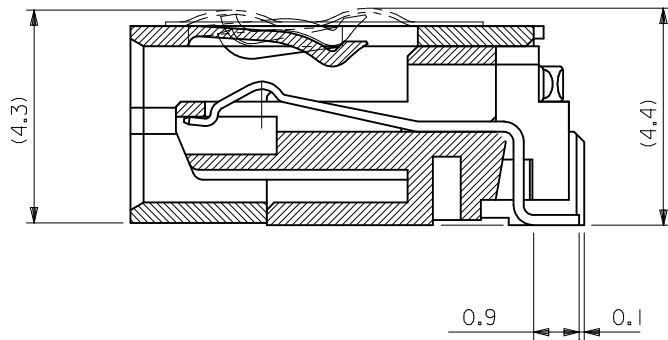
2. メッキ仕様
PLATING
ターミナル
TERMINAL
接点部: 金メッキ 0.75 MICRO METER MIN.
CONTACT AREA: GOLD 0.75MICRO METER MIN.
半田付け部: 半田メッキ 3.8 MICRO METER MIN.
SOLDER TAIL AREA: TIN-LEAD 3.8MICRO METER MIN.
下地部: ニッケルメッキ 1.25 MICRO METER MIN.
UNDER PLATING: NICKEL 1.25MICRO METER MIN.
シールド ケース
SHIELD CASE
: 半田メッキ 2.5 MICRO METER MIN.
: TIN-LEAD 2.5MICRO METER MIN.
下地部: ニッケルメッキ 1 MICRO METER MIN.
UNDER PLATING: NICKEL 1 MICRO METER MIN.

3. テール、ネール平坦度は0.1mm MAX.
TAIL, NAIL COPLANARITY 0.1mm MAX.

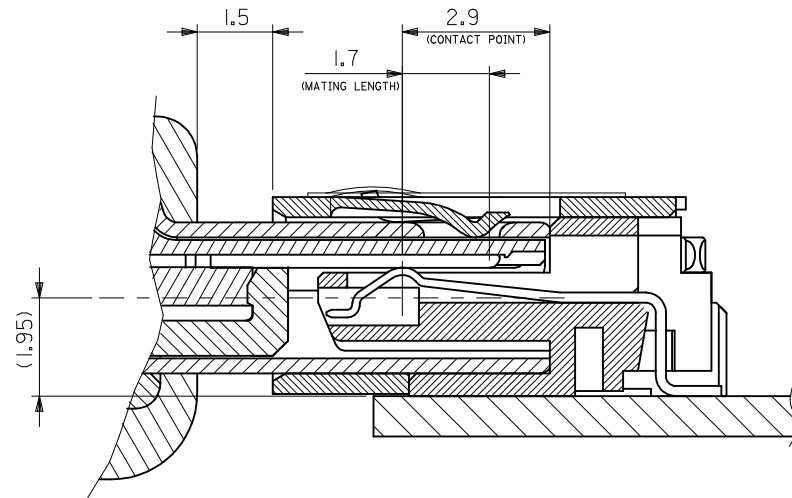
54819-0578	54819-0571
EMBOSSED TAPE	MATERIAL No.
ORDER No.	
MODEL No.54819-**71	

REVISED EC NO: J2009-1533 DRW: NESATO 2009/06/25 CHKD: MATSUMOTO 2009/06/25 APPR: NUKITA 2009/06/25	DESCRIPTION REV	GENERAL TOLERANCES (UNLESS SPECIFIED)		DIMENSION STYLE MM ONLY		SCALE 10:1	DESIGN UNITS METRIC	THIRD ANGLE PROJECTION	
		10 UNDER	±0.2	DRAWN BY K. TAKAHASHI	DATE 2000/08/02	TITLE USB SERIES MINI-B RECEPTACLE ASS'Y FOR SMT			
		10 OVER 30 UNDER	±0.25	CHECKED BY M. SASAO	DATE 2000/08/02	MOLEX INCORPORATED			
		30 OVER	±0.3	APPROVED BY H. IKESUGI	DATE 2000/08/02	DOCUMENT NO. SD-54819-009		SHEET NO. 1 OF 2	
ANGULAR ±3 °		DRAFT WHERE APPLICABLE MUST REMAIN WITHIN DIMENSIONS		MATERIAL NO. SEE TABLE		THIS DRAWING CONTAINS INFORMATION THAT IS PROPRIETARY TO MOLEX INCORPORATED AND SHOULD NOT BE USED WITHOUT WRITTEN PERMISSION			

10 9 8 7 6 5 4 3 2 1



SECTION



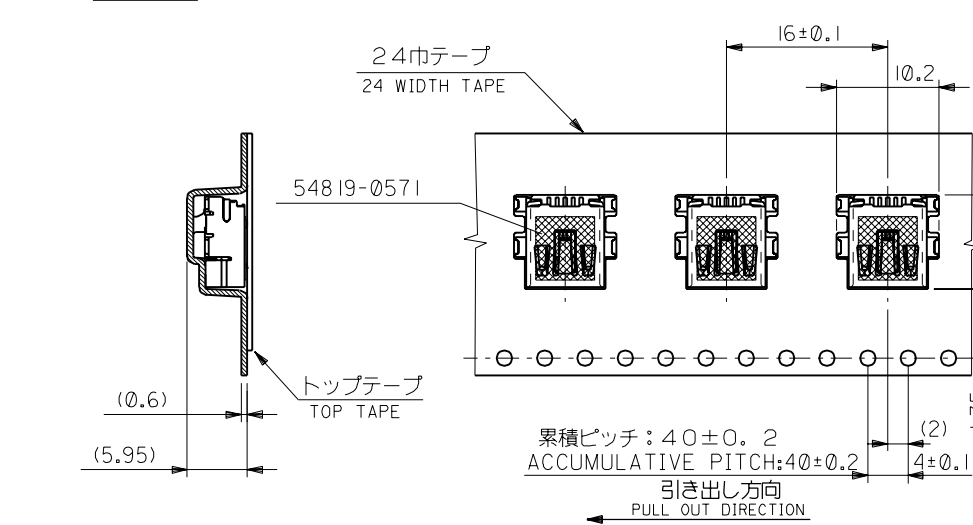
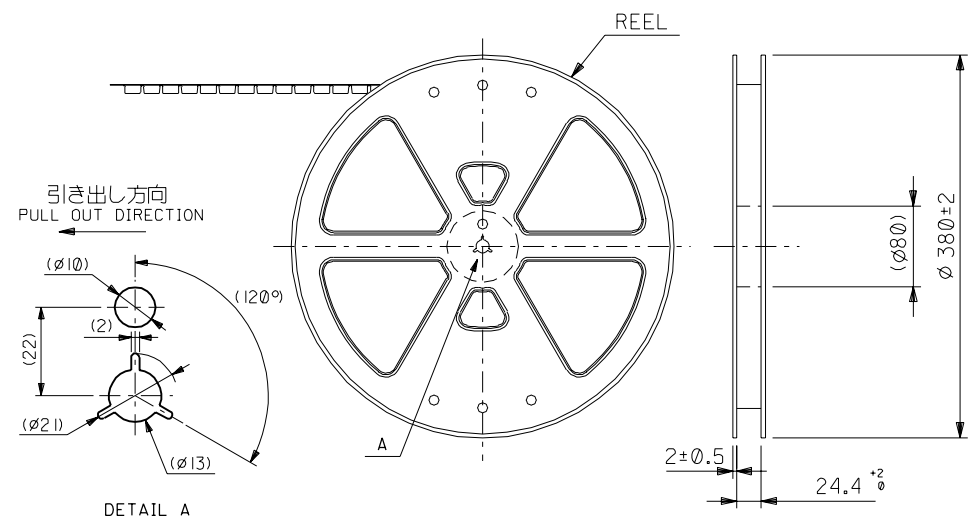
MATING

MODEL No.54819-**71

REVISED EC NO: J2009-1533 DRW:ESATO 2009/06/25 CHK:D:HMATSUMOTO 2009/06/25 APPR:NUKITA 2009/06/25	GENERAL TOLERANCES (UNLESS SPECIFIED)		DIMENSION STYLE MM ONLY	SCALE 10:1	DESIGN UNITS METRIC	THIRD ANGLE PROJECTION	
	10 UNDER	±0.2	DRAWN BY K. TAKAHASHI	DATE 2000/08/02	TITLE USB SERIES MINI-B RECEPTACLE ASS'Y FOR SMT		
	10 OVER 30 UNDER	±0.25	CHECKED BY M. SASAO	DATE 2000/08/02	MATERIAL NO. SEE SHEET 1		
	30 OVER	±0.3	APPROVED BY H. IKESUGI	DATE 2000/08/02	DOCUMENT NO. SD-54819-009		
	ANGULAR ±3 °	DRAFT WHERE APPLICABLE MUST REMAIN WITHIN DIMENSIONS		MATERIAL NO. SEE SHEET 1		SHEET NO. 2 OF 2	
		THIS DRAWING CONTAINS INFORMATION THAT IS PROPRIETARY TO MOLEX INCORPORATED AND SHOULD NOT BE USED WITHOUT WRITTEN PERMISSION					

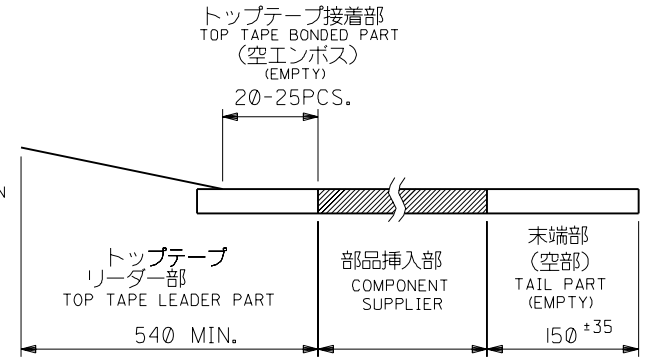
DWG. NO. SD-54819-012

DO NOT SCALE DRAWING



NOTES

- 54819-0571の詳細はSD-54819-009参照
IN THE PACKAGE PART NO.54819-0571 DETAILED, SEE SD-54819-009
- 梱包数量: 800 個/リール
NUMBER OF CONNECTORS: 800 PCS/REEL
- リードテープ長さ
LEAD TAPE LENGTH



- トップテープの剥離強度: 0.1~0.7 N (10.2~71.4gf)
(剥離方向は下図参照) キャリアテープ幅: 24mm
PEEL-OFF FORCE OF TOP TAPE: 0.1~0.7 N (10.2~71.4gf)
(PEELING DIRECTION AS SHOWN IN FOLLOWING FIG.)
尚、本規格値は、出荷時に適用。
THIS REQUIREMENTS SHOULD BE APPLIED AT SHIPMENT
(但し、輸送時に剥離が発生しない事。)
(PEEL OFF SHOULD NOT BE ALLOWED, DURING TRANSPORTATION)

- 材料
MATERIAL
キャリアテープ: ポリプロピレン
CARRIER TAPE: POLYPROPYLENE
トップテープ: ポリエステル, ポリエチレン
TOP TAPE: POLYESTER, POLYETHYLENE
リール: ポリスチレン
REEL: POLYSTYRENE

エンボステープ内の製品の向き
DIRECTION OF CONNECTOR IN EMBOSSED TAPE

04 NO. DRWN: CH'K: APPR: 03 NO. DRWN: CH'K: APPR: 02 NO. DRWN: CH'K: APPR:	REVISED 01 NO. JD2001-1513 DRWN: TAKAHASHI 01/05/21 CH'K: MSASAO 01/05/21 APPR: MSASAO 01/05/21 RELEASED 03 NO. JD2001-0190 DRWN: TAKAHASHI 00/08/02 CH'K: MSASAO 00/08/02 APPR: HIKESUGI 00/08/02	MATERIAL 材料 SEE NOTES FINISH 仕上げ — WIRE RANGE 適用電線範囲 — INS. RANGE 被覆外径 —	GENERAL TOLERANCES: (UNLESS SPECIFIED) 一般公差 10 UNDER 未満 ±0.2 10 OVER 以上 30 UNDER 未満 ±0.25 30 OVER 以上 ±0.3 ANGLE 角度 ±3°	SCALE 2 - 1 DESIGN UNITS mm INCH PROJECTION DRAWN BY & DATE R. Takahashi 00/08/02 CHECKED BY & DATE H. Sano 00/08/02 APPROVED BY & DATE A. H. 00/08/02 CAD FILENAME SD-54819-012.S01	DIMENSIONS: mm INCH SHT REV REVISE ON CAD ONLY	TITLE: USB SERIES MINI-B REC. HS'G EMBOSSED ASS'Y MOLEX INCORPORATED	MATERIAL NO. 54819-0578 DRAWING NO. SD-54819-012 SHEET NO. 1 OF 1